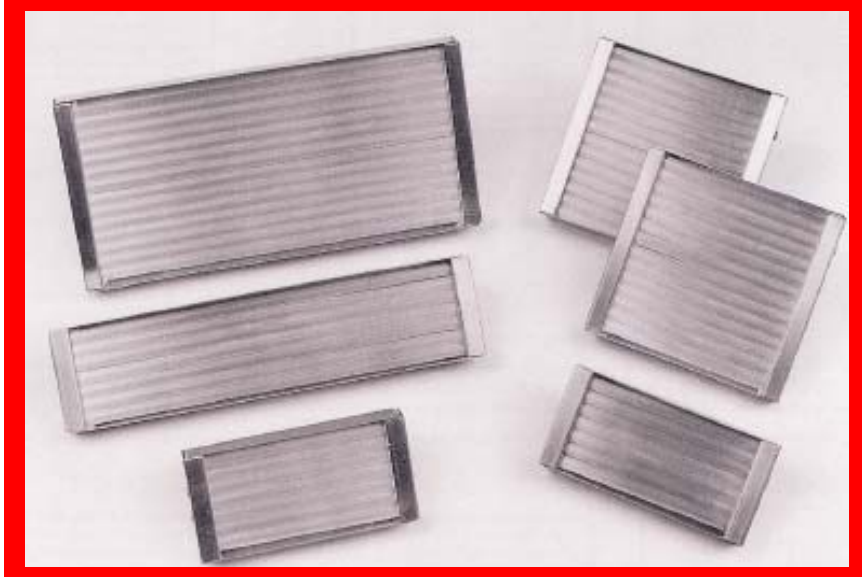


Infra Red Quartz Medium Wave Modules



Product features

- Fast Response
- Rapid heat-up
- Rapid cool down
- Ideal for fast cycling machines
- Highly reflective aluminised internal surface
- High radiant efficiency
- Low conventional losses
- Five Standard sizes
- Large choice of power ratings available
- Volts: Heaters can be manufactured to suit most supply voltages

Victory Lighting (UK) Ltd

Drewart-Energy sp. z o.o
+48 022 758 59 82
www.drewart.com.pl www.solart.pl

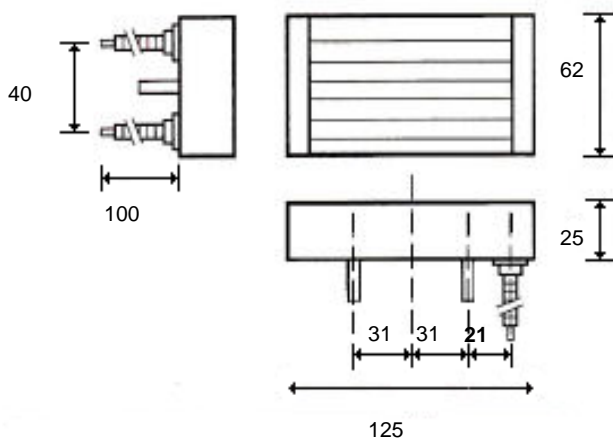
Heater Selection

Many factors govern the choice of heaters for any particular application. Such properties as size, shape, power rating, wavelength, mechanical strength, speed of response, etc. must be considered. The final choice must of course, be that which most nearly matches the production needs of the user. Hi-Heat International can offer detailed advice on the selection and use of Infra-red Heaters. We can also supply control equipment. Please see our separate leaflet for details of our range of quality HI-HEAT CERAMIC heaters.

Lead Length: 100mm

Fixing Studs: M4 X 20mm

HSQ



Watts

150

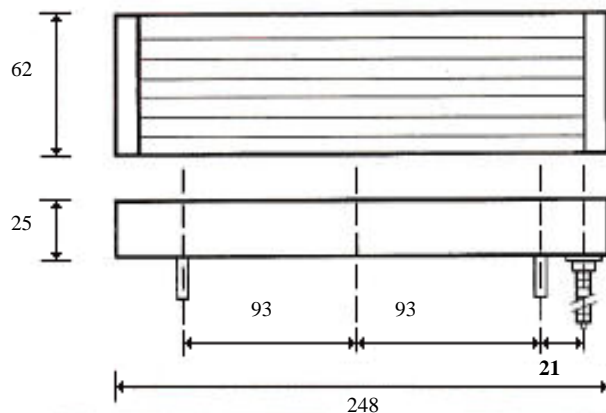
200

250

300

375

FSQ



Watts

300

400

500

600

750

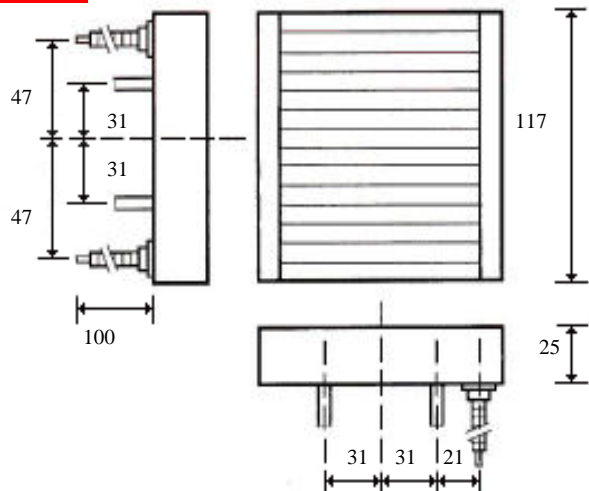
Victory Lighting (UK) Ltd

Drewart-Energy sp. z o.o

+48 022 758 59 82

www.drewart.com.pl **www.solart.pl**

SQE



Watts

150

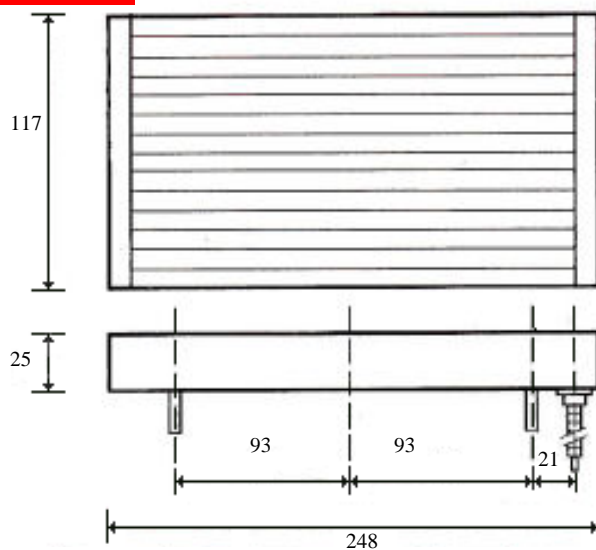
200

250

300

375

LQE



Watts

300

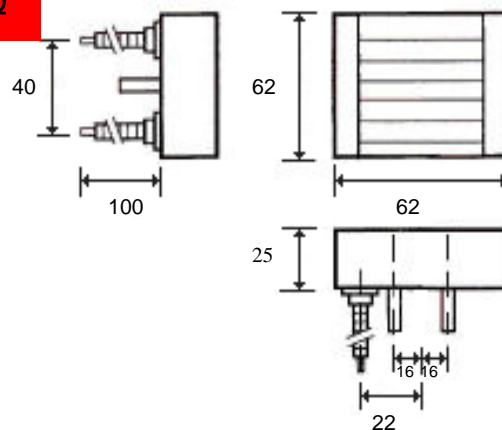
400

500

600

750

QSQ



Watts

150

175

200

Victory Lighting (UK) Ltd

Drewart-Energy sp. z o.o
+48 022 758 59 82
www.drewart.com.pl www.solart.pl